

Available
Stock Items

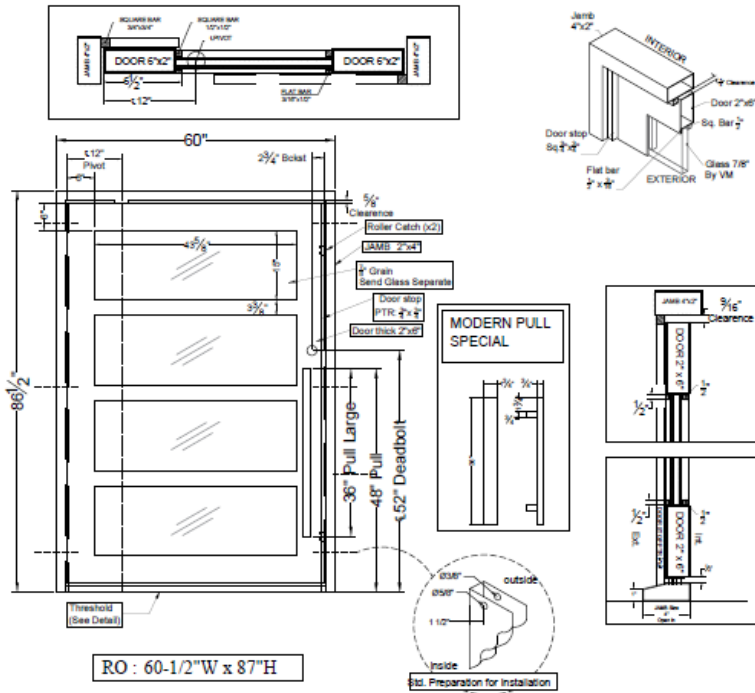




VISIONMAKERS

"The Industry's Finest Steel Doors, Windows and Entries"

PRODUCTION ORDER
www.VISIONMAKERSINTL.COM
VM Mesa (402) 218-1500
VM Scottsdale (480) 991-1252
VM Utah (801) 746-7070



RO : 60-1/2"W x 87"H

*ALL DIMENSIONS ARE IN INCHES *VIEW IS LOOKING AT DOOR FROM OUTSIDE

INSTALLER WILL SET DOOR AT: Finish To Inside Framing		INSTALLER INSTRUCTIONS:																																	
Inside Outside Left Hand In-Swing	DATE: 01-19-2021 REVISION: 01 DESIGNED BY: AMPS	SPECIFICATIONS: N/A DOOR HINGES 2 ROLLER CATCHES 2" x 4" DOOR JAMB 2 3/4" BACKSET 2" DOOR CLEARANCE 2" DOOR THICKNESS X GLASS LATCHES	<table border="1"> <thead> <tr> <th></th> <th>NO</th> <th>YES</th> <th>NAME:</th> </tr> </thead> <tbody> <tr> <td>INSULATED</td> <td></td> <td><input checked="" type="checkbox"/></td> <td>COLOR: Heavy Bronze</td> </tr> <tr> <td>HINGED GLASS PANEL</td> <td><input checked="" type="checkbox"/></td> <td></td> <td>GLASS: Grain (Send Glass Separate)</td> </tr> <tr> <td>DUAL PANE GLASS</td> <td><input checked="" type="checkbox"/></td> <td></td> <td>GLASS THICKNESS: 7/8"</td> </tr> <tr> <td>ROLLER CATCHES</td> <td><input checked="" type="checkbox"/></td> <td></td> <td>SERIAL #: X</td> </tr> <tr> <td>FLUSH BOLTS</td> <td><input checked="" type="checkbox"/></td> <td></td> <td>APPROVAL:</td> </tr> <tr> <td>INTRGRD THRSHLD</td> <td><input checked="" type="checkbox"/></td> <td></td> <td></td> </tr> <tr> <td>GLASS STOP SCREWS</td> <td><input checked="" type="checkbox"/></td> <td></td> <td></td> </tr> </tbody> </table>		NO	YES	NAME:	INSULATED		<input checked="" type="checkbox"/>	COLOR: Heavy Bronze	HINGED GLASS PANEL	<input checked="" type="checkbox"/>		GLASS: Grain (Send Glass Separate)	DUAL PANE GLASS	<input checked="" type="checkbox"/>		GLASS THICKNESS: 7/8"	ROLLER CATCHES	<input checked="" type="checkbox"/>		SERIAL #: X	FLUSH BOLTS	<input checked="" type="checkbox"/>		APPROVAL:	INTRGRD THRSHLD	<input checked="" type="checkbox"/>			GLASS STOP SCREWS	<input checked="" type="checkbox"/>		
	NO	YES	NAME:																																
INSULATED		<input checked="" type="checkbox"/>	COLOR: Heavy Bronze																																
HINGED GLASS PANEL	<input checked="" type="checkbox"/>		GLASS: Grain (Send Glass Separate)																																
DUAL PANE GLASS	<input checked="" type="checkbox"/>		GLASS THICKNESS: 7/8"																																
ROLLER CATCHES	<input checked="" type="checkbox"/>		SERIAL #: X																																
FLUSH BOLTS	<input checked="" type="checkbox"/>		APPROVAL:																																
INTRGRD THRSHLD	<input checked="" type="checkbox"/>																																		
GLASS STOP SCREWS	<input checked="" type="checkbox"/>																																		
Left Door Active <input checked="" type="checkbox"/> Right Door Active N/A	HANDLES: <input checked="" type="checkbox"/> Yes PULLS: Custom HINGES: Pivot	MODERN PULL SPECIAL Threshold (See Detail) 110° Inside Outside [Fit Preparation for installation]																																	



60" x 86.5" Pivot Door

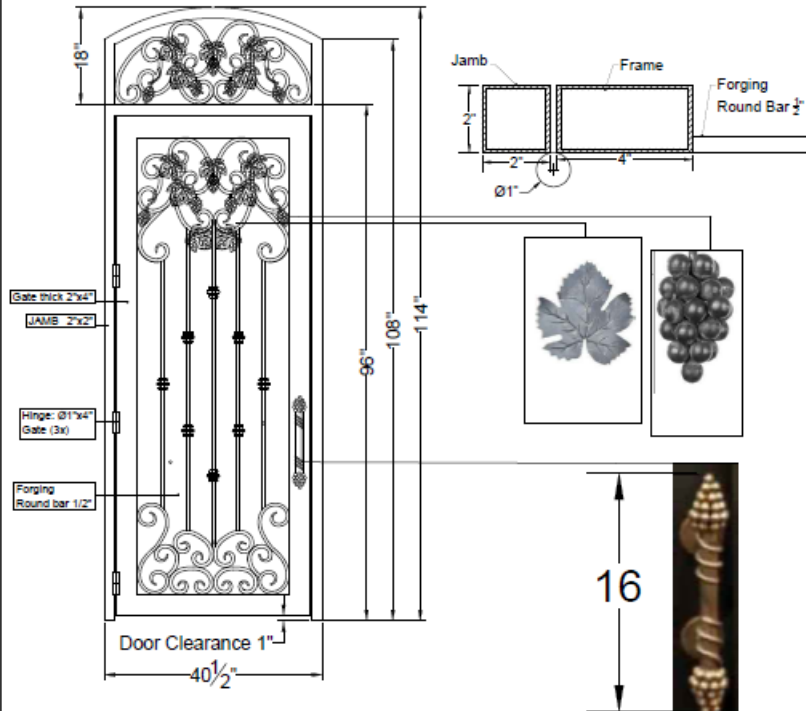
Notes: At Scottsdale warehouse, no glass currently.



VISIONMAKERS

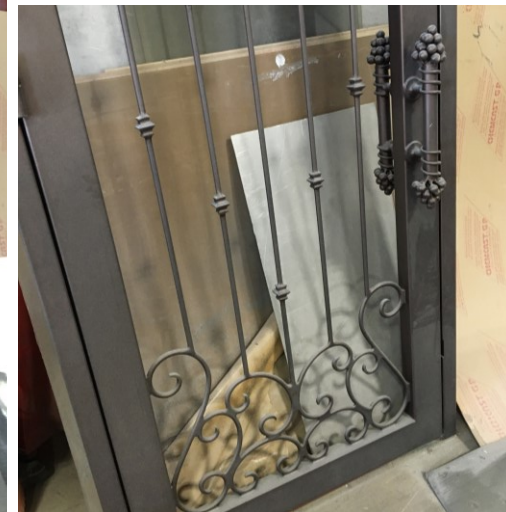
"The Industry's Finest Steel Doors, Windows and Entries"

PRODUCTION ORDER
www.VISIONMAKERSINTL.COM
VM Mesa (480) 215-1500
VM Scottsdale (480) 961-0252
VM Utah (801) 745-7070



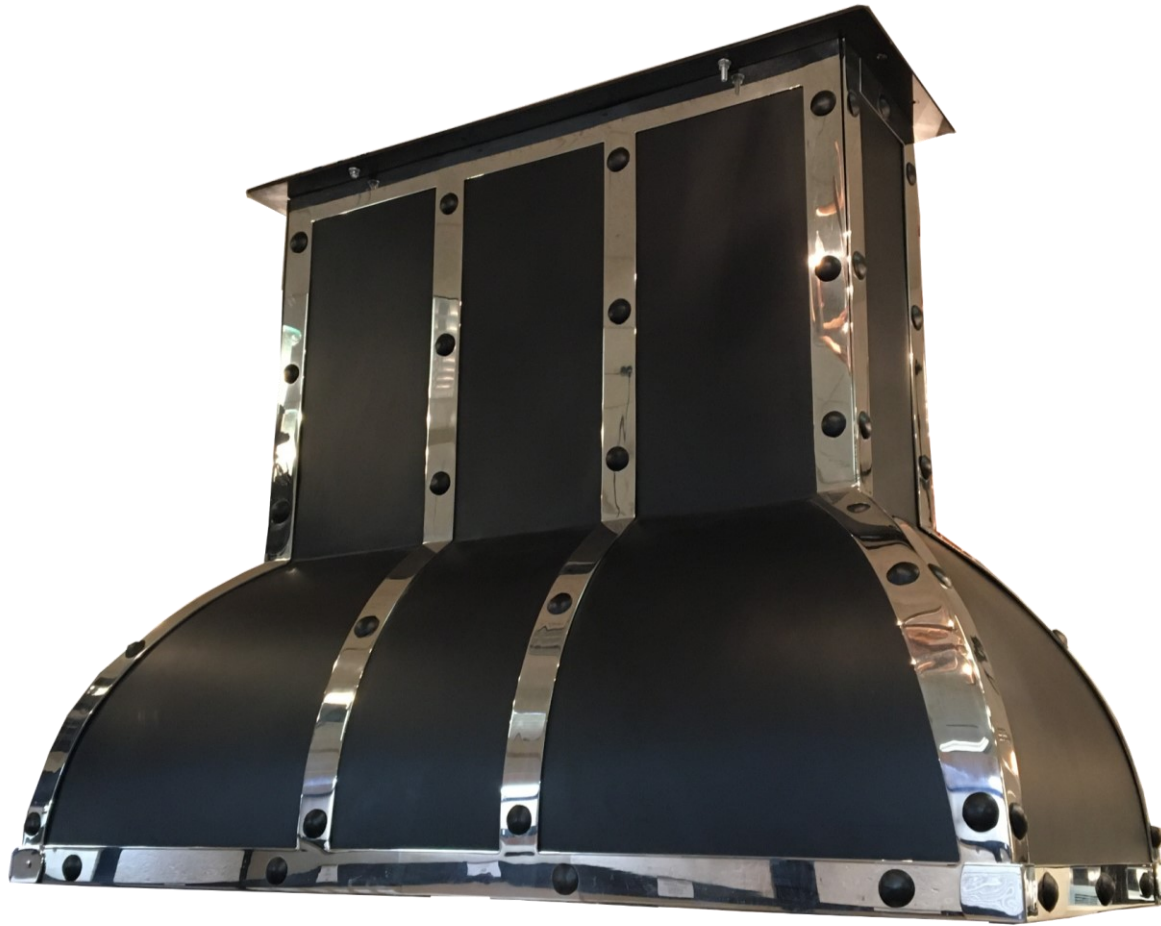
*ALL DIMENSIONS ARE IN INCHES *VIEW IS LOOKING AT DOOR FROM OUTSIDE

INSTALLER WILL SET DOOR AT: X		INSTALLER INSTRUCTIONS: X	
Inside	DATE: 06.11.2020	SPECIFICATIONS:	NO YES
Outside	REVISION: 02	INSULATED	✓
Left Hand Out-swing	DESIGNED BY: ABG	X DOOR HINGES	✓
	HANDLESET	X ROLLER CATCHES	✓
	Yes	2" x 2" DOOR JAMB	✓
Left Door Active	PULLS	1" DOOR CLEARANCE	✓
Right Door Active	HINGES	2 3/4" DOOR THICKNESS	✓
	Custom	X GLASS LATCHES	✓
	STD	DUAL PANE GLASS	✓
		ROLLER CATCHES	✓
		FLUSH BOLTS	✓
		INTRGRID THRESHLD	✓
		GLASS STOP SCREWS	✓
		NAME	COLOR: Medium Bronze
		GLASS: N/A	GLASS THICKNESS: N/A
		SERIAL # X	APPROVAL:



40.5" x 114" Wine Gate

Notes: At Scottsdale warehouse



Steel Kitchen Hood

Notes: 54"W x 27.5"D x 43"H. At Scottsdale showroom, ceiling mount, finished on all sides, powder coated black, polished nickel straps, liner not included.

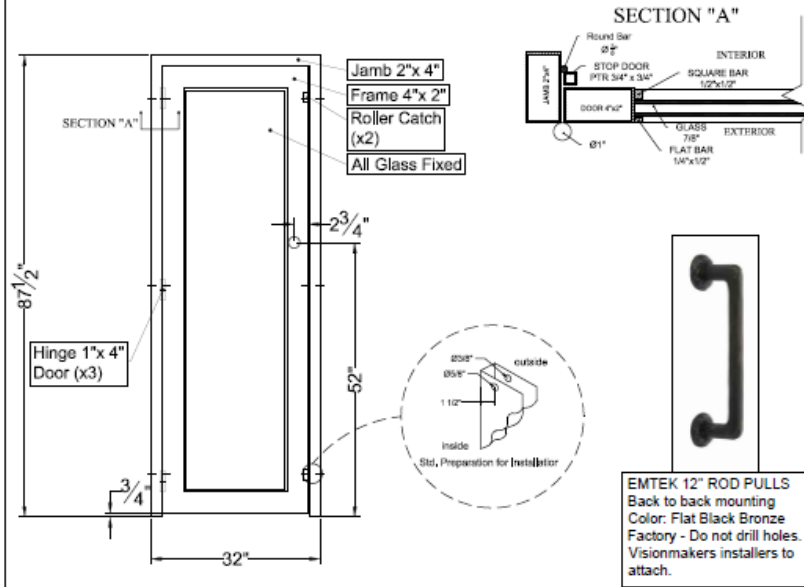




VISIONMAKERS

"The Industry's Finest Steel Doors, Windows and Entries"

PRODUCTION ORDER
www.VISIONMAKERSINTL.COM
VM Mesa (480) 218-1500
VM Scottsdale (480) 961-1252
VM Utah (801) 749-7070



EMTEK 12" ROD PULLS
Back to back mounting
Color: Flat Black Bronze
Factory - Do not drill holes.
Visionmakers installers to attach.

RO : 33"W x 88 1/2"H

*ALL DIMENSIONS ARE IN INCHES *VIEW IS LOOKING AT DOOR FROM OUTSIDE

INSTALLER WILL SET DOOR AT: Centered in Opening		INSTALLER INSTRUCTIONS: X		
 Inside	DATE: 05.05.2020	SPECIFICATIONS:		
	REVISION: 00	3 DOOR HINGES	INSULATED <input checked="" type="checkbox"/>	NO YES NAME
 Outside Left Hand Outswing	DESIGNED BY: ABG	2 ROLLER CATCHES	HINGED GLASS PANEL <input checked="" type="checkbox"/>	COLOR: Black
	HANDSET: <input checked="" type="checkbox"/> Yes	2" x 4" DOOR JAMB	DUAL PANE GLASS <input checked="" type="checkbox"/>	GLASS: Clear Low E
Left Door Active: NA	PULLS: Rod Pull	2 3/4" BACKSET	ROLLER CATCHES <input checked="" type="checkbox"/>	GLASS THICKNESS: 7/8"
Right Door Active: NA	HINGES: Heavy Duty	3/4" DOOR CLEARANCE	FLUSH BOLTS <input checked="" type="checkbox"/>	SERIAL #: X
		2" DOOR THICKNESS	INTRGRD THRSILD <input checked="" type="checkbox"/>	APPROVAL:
		9 GLASS LATCHES	GLASS STOP SCREWS <input checked="" type="checkbox"/>	



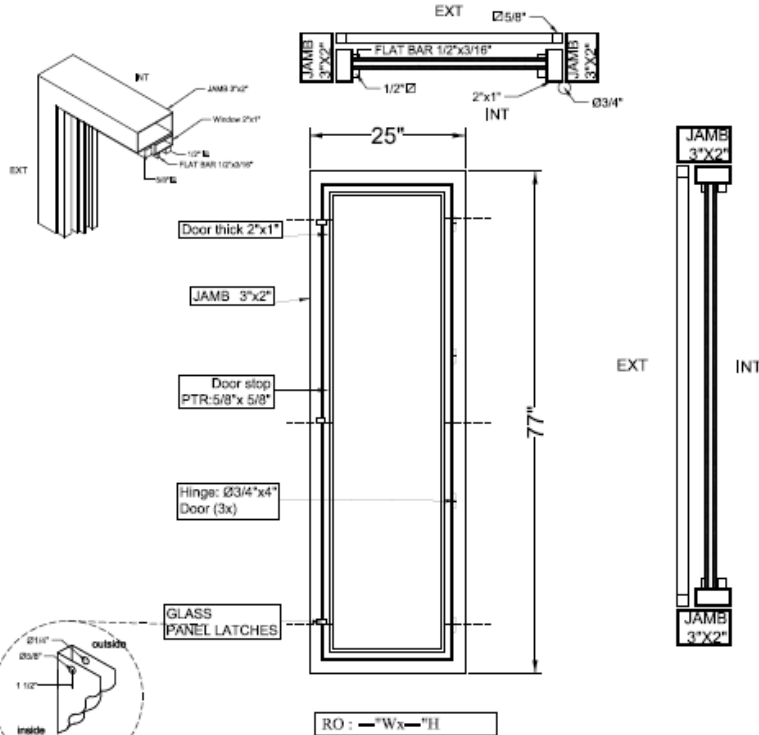
32" x 87.5" Wine Door

Notes: At Scottsdale showroom, no pulls (can be added)



VISIONMAKERS
 "The Industry's Finest Steel Doors, Windows and Entries"

PRODUCTION ORDER
 www.VISIONMAKERSINTL.COM
 VM Mesa (602) 218-1000
 VM Scottsdale (480) 991-1252
 VM Utah (801) 346-9070



*ALL DIMENSIONS ARE IN INCHES *VIEW IS LOOKING AT DOOR FROM OUTSIDE

INSTALLER WILL SET DOOR AT:		INSTALLER INSTRUCTIONS:				
	DATE: 04,15,2021	SPECIFICATIONS:		NO	YES	NAME:
	REVISION: 01	3 WINDOW HINGES	INSULATED	<input type="checkbox"/>	<input checked="" type="checkbox"/>	
DESIGNED BY: VR	X ROLLER CATCHES	HINGED GLASS PANEL	<input checked="" type="checkbox"/>	<input type="checkbox"/>	COLOR: BLACK	
Right Hand In-swing	HANDLESET Yes	DUAL PANE GLASS	<input checked="" type="checkbox"/>	<input type="checkbox"/>	GLASS: CLEAR LOW E	
Left Door Active NA	PULLS N/A	ROLLER CATCHES	<input checked="" type="checkbox"/>	<input type="checkbox"/>	GLASS THICKNESS: 3/4"	
Right Door Active <input checked="" type="checkbox"/>	HINGES STD	FLUSH BOLTS	<input checked="" type="checkbox"/>	<input type="checkbox"/>	SERIAL #: X	
		INTRGRTD THRSILD	<input checked="" type="checkbox"/>	<input type="checkbox"/>	APPROVAL:	
		GLASS STOP SCREWS	<input checked="" type="checkbox"/>	<input type="checkbox"/>		



Pair of operable windows
 Notes: 25"W x 77"H, both windows are exactly the same.
 At Scottsdale warehouse, swings in (must be under covered patio).



FRONT



BACK

Mesquite Entry Door

Notes: 50"W x 120"H, Window panels are operable. Swings in, left. At Scottsdale warehouse, Needs glass and pulls. Iron grill design can be made for the windows.





40x97 Entry Door

Notes: Aquatex Glass. Swings in, right. At Scottsdale warehouse.



Mesquite Table Base

Notes: Solid mesquite. 36" W x 76.5" L x 28" H. At Scottsdale warehouse.



40x97 Entry Door

Notes: Acid Etch Glass. Swings in, right. At Scottsdale warehouse.





44x98 Gate

Notes: At Scottsdale warehouse.





47.5x62 Composite Gate

Notes: At Scottsdale warehouse.



Steel Doors 48x78 each

Notes: Double door, no jamb. At Scottsdale warehouse.



Steel Gate 60x89x96

Notes: At Scottsdale warehouse.



Steel Window x2

Notes: 48" W x 72" H each. At Scottsdale warehouse.





Wine Gate 38x79

Notes: At Scottsdale warehouse.





Steel Door 37x81

Notes: At Scottsdale warehouse.



Solid Alder Door 31.5x97

Notes: At Scottsdale warehouse. 7" jamb.



Solid Alder Door 32x97

Notes: At Scottsdale warehouse. Swing in, left.



Solid Alder Door 36.5x97

Notes: At Scottsdale warehouse. Swing in, left.



Qty 2 Barn Doors 33x97

Notes: At Scottsdale warehouse.

